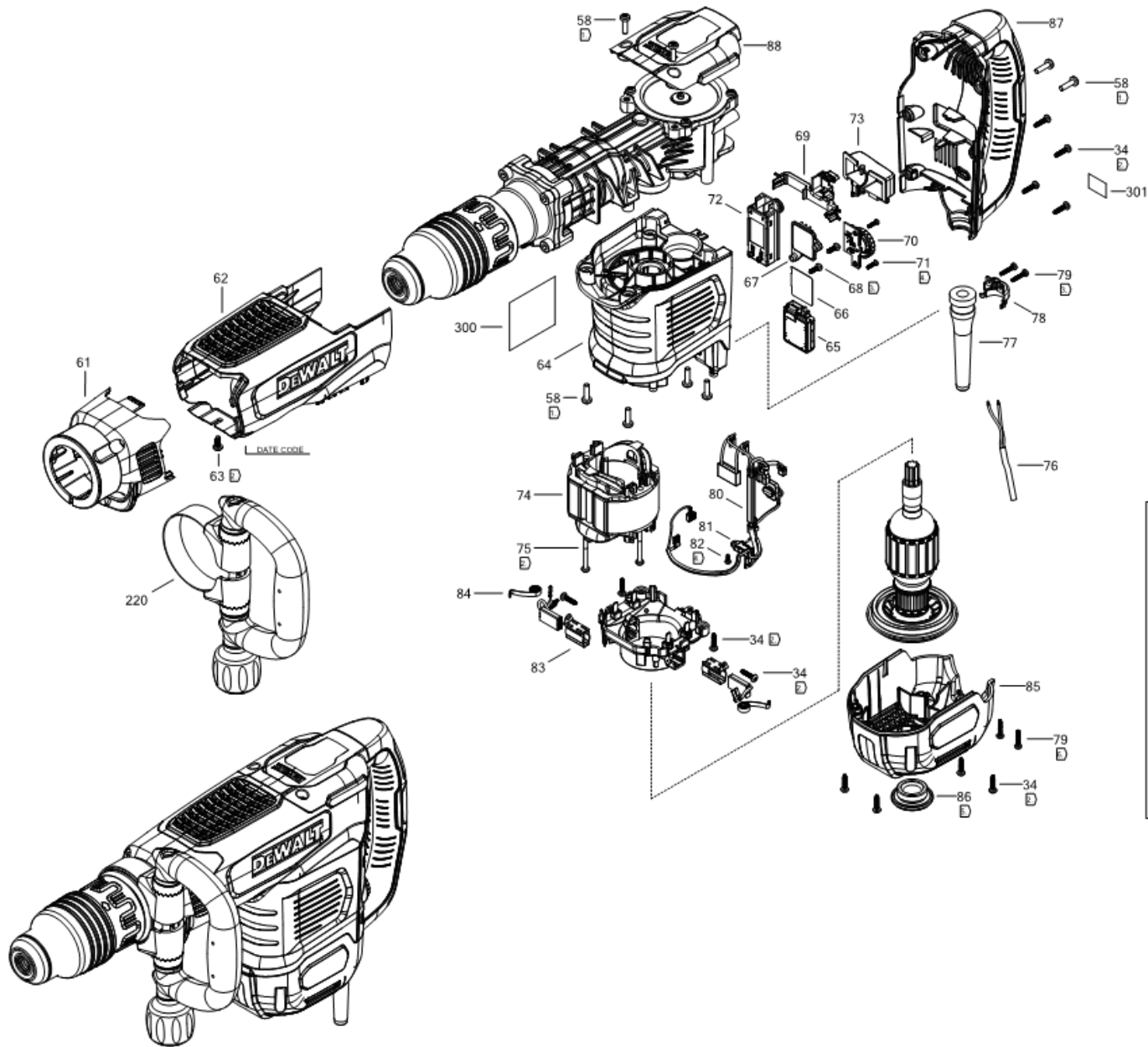
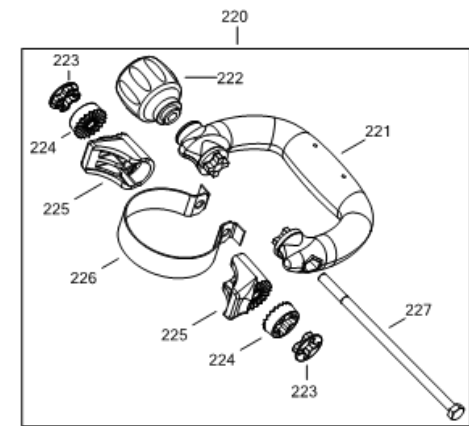
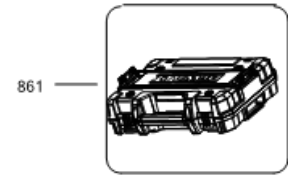


D25881K DEMOLITION HAMMER 1



NOTES:

- 1 TORQUE TO 3.8 - 4.0 Nm
- 2 TORQUE TO 1.8 - 2.0 Nm
- 3 TORQUE TO 0.6 - 0.8 Nm
- 4 TORQUE TO 0.6 Nm
- 5 TORQUE TO 30.0 - 35.0 Nm
- 6 TORQUE TO 0.8 - 1.0 Nm



Parts List D25881K DEMOLITION HAMMER 1

Item	Part Number	Qty	Part Description	General Description	Other Info	Repair Inst	Markets
1	NA291333	1	HOUSING SA			No	QS
2	NA241195	1	SEAL			No	QS
3	NA118316	1	CLIP			No	QS
4	NA087839	1	O RING			No	QS
5	NA118319	1	WASHER			No	QS
6	NA291432	1	ARMATURE SA			No	QS
7	NA129587	1	BEARING			No	QS
8	NA131175	1	BEARING BALL			No	QS
9	NA133951	1	O RING			No	QS
10	624521-00	1	LOCKING RING			No	QS
11	477075-00	2	CONNECTOR			No	QS
12	N415936	2	PLUG			No	QS
13	NA049468	1	BRUSH HOLDER			No	QS
14	NA335471	1	CYLINDER SA			No	QS
15	N400498	1	BUSH			No	QS
16	N389365	1	O RING			No	QS
17	NA002707	1	BUSH			No	QS
18	NA155285	1	O RING			No	QS
19	N515559	1	DAMPER			No	QS
20	N389693	1	WASHER			No	QS
21	N432561	1	O RING			No	QS
22	NA002683	1	BEAT PIECE			No	QS
23	N594490	1	SEAL			No	QS
24	NA291344	1	BEAT PIECE			No	QS
25	N387235	1	RAM			No	QS
26	487296-00	2	O RING			No	QS
27	NA291349	1	RAM SA			No	QS
28	NA116003	1	PISTON			No	QS
29	NA291366	1	PISTON SA			No	QS
30	N439990	1	PISTON RING			No	QS
31	NA325548	1	CONNECTING ROD			No	QS
32	N026610	1	PIN			No	QS

Parts List D25881K DEMOLITION HAMMER 1

Item	Part Number	Qty	Part Description	General Description	Other Info	Repair Inst	Markets
33	NA291367	1	PISTON SA			No	QS
34	330065-08	15	SCREW	M4x18 T20		No	QS
35	NA176495	1	SEAL			No	QS
36	N522784	1	RETAINER			No	QS
37	N516487	1	WASHER			No	QS
38	NA176490	1	RUBBER			No	QS
39	NA089073	1	SLEEVE			No	QS
40	N511834	1	BUSH			No	QS
41	N520782	1	SPRING			No	QS
42	N511805	1	DAMPER			No	QS
43	N408040	1	BUSH			No	QS
44	N520784	1	SPRING			No	QS
45	NA132884	1	SPRING GUIDE			No	QS
46	N929397	1	SPRING			No	QS
47	NA074341	1	LOCK			No	QS
48	N537380	1	SLEEVE			No	QS
49	NA094965	1	O RING			No	QS
50	N514255	1	DAMPER			No	QS
51	NA076259	1	FLANGE			No	QS
52	N511836	2	LOCKING DEVICE			No	QS
53	NA335460	1	SPINDLE SA			No	QS
54	949886-32	4	SCREW			No	QS
55	NA401120	1	CRANKSHAFT			No	QS
56	NA087838	1	O RING			No	QS
57	NA049469	1	CAP			No	QS
58	N548557	12	SCREW			No	QS
59	NA231731	1	TUBE			No	QS
60	NA087837	1	FELT			No	QS
61	NA049462	1	COVER			No	QS
62	NA049463	1	COVER			No	QS
63	330045-49	1	SCREW			No	QS
64	NA049465	1	MOTOR HOUSING SA			No	QS

Parts List D25881K DEMOLITION HAMMER 1

Item	Part Number	Qty	Part Description	General Description	Other Info	Repair Inst	Markets
65	NA503515	1	CONTROL MODULE SA			No	QS
66	1005688-00	1	PAD			No	QS
67	NA210264	1	HEATSINK			No	QS
68	330065-06	2	SCREW			No	QS
69	NA184040	1	BRACKET			No	QS
70	N432994	1	SPEED REGULATOR			No	QS
71	330065-35	2	SCREW			No	QS
72	N467531	1	SWITCH			No	QS
73	NA134745	1	CAP			No	QS
74	NA335486	1	FIELD SA			No	QS
75	330019-30	2	SCREW			No	QS
76	1005752-00	1	CORDSET (EURO)			No	QS
77	323091-01	1	CORD PROTECTOR			No	QS
78	NA131406	1	CAP			No	QS
79	330019-04	4	SCREW			No	QS
80	N455306	1	WIRE HARNESS			No	QS
81	N448156	1	COIL			No	QS
82	N086775	1	SCREW			No	QS
83	N425665	2	BRUSH HOLDER SA			No	QS
84	NA534953	2	BRUSH SPRING			No	QS
85	NA049466	1	END CAP			No	QS
86	NA168746	1	CAP			No	QS
87	NA145629	1	HANDLE SA			No	QS
88	NA049464	1	COVER			No	QS
89	NA192214	1	O RING			No	QS
220	N470872	1	LOOP HANDLE			No	QS
221	N536691	1	SIDE HANDLE			No	QS
222	487291-00	1	KNOB SA			No	QS
223	479319-00	2	CLAMPING INSERT			No	QS
224	479317-00	2	WASHER LOCK			No	QS
225	479320-00	2	WASHER CLAMP			No	QS
226	N470725	1	CLAMP			No	QS

Parts List D25881K DEMOLITION HAMMER 1

Item	Part Number	Qty	Part Description	General Description	Other Info	Repair Inst	Markets
227	487343-00	1	BOLT			No	QS
300	NA299360	1	RATING LABEL			No	QS
301	NA171220	1	LABEL			No	QS
400	NA393742	1	SERVICE KIT			No	QS
401	NA393734	1	BRUSH PAIR SA			No	QS
800	NA418258	1	GREASE			No	QS
830	559651-99	1	S.T.CIRCLIP REMOVER			No	QS
831	559652-99	1	S.T.CIRCLIP REMOVER			No	QS
832	NA401188	1	S.T.OIL SEAL INSERTER			No	QS
833	NA401189	1	S.T.OIL SEAL INSERTER			No	QS
861	NA239334	1	KITBOX			No	QS